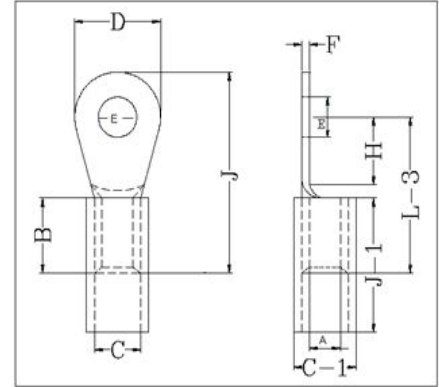


## COPPER RING TYPE INSULATED TERMINAL

Material Copper IS : 1897 :: Finished Electro Tinned

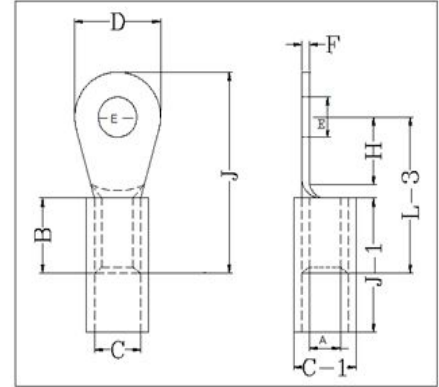


All dimensions in mm

Size mm <sup>2</sup>	E	A	C	D	F	B	H	J	J1	L-3	C-1	CORDLUG CAT NO.
1.5	2.2	1.6	3.2	6.0	0.8	5.0	4.0	14.0	10.0	16.0	4.8	L7052
1.5	2.6	1.6	3.2	6.0	0.8	5.0	4.0	14.0	10.0	16.0	4.8	L7053
1.5	3.2	1.6	3.2	6.0	0.8	5.0	4.0	14.0	10.0	16.0	4.8	L7054
1.5	3.2	1.6	3.2	6.8	0.8	5.0	3.6	13.0	10.0	14.6	4.8	L7057
1.5	3.2	1.6	3.2	8.0	0.8	4.0	5.0	16.0	10.0	17.0	4.8	L7060
1.5	3.7	1.6	3.2	6.0	0.8	5.0	4.0	14.0	10.0	16.0	4.8	L7055
1.5	3.7	1.6	3.2	6.8	0.8	5.0	3.6	13.0	10.0	14.6	4.8	L7058
1.5	4.2	1.6	3.2	6.0	0.8	5.0	4.0	14.0	10.0	16.0	4.8	L7056
1.5	4.2	1.6	3.2	6.8	0.8	5.0	3.6	13.0	10.0	14.6	4.8	L7059
1.5	4.2	1.6	3.2	8.0	0.8	4.0	5.0	16.0	10.0	17.0	4.8	L7061
1.5	4.2	1.6	3.2	10.0	0.8	5.0	6.0	18.0	10.0	18.0	4.8	L7064
1.5	4.2	1.6	3.2	7.0	0.8	5.0	5.0	14.5	10.0	16.0	4.8	L7063
1.5	5.2	1.6	3.2	8.0	0.8	4.0	5.0	16.0	10.0	17.0	4.8	L7062
1.5	5.2	1.6	3.2	10.0	0.8	5.0	6.0	18.0	10.0	18.0	4.8	L7065
1.5	6.4	1.6	3.2	10.0	0.8	5.0	6.0	18.0	10.0	18.0	4.8	L7066
1.5	6.4	1.6	3.2	12.0	0.8	5.0	6.0	18.0	10.0	17.0	4.8	L7067
2.5	3.2	2.3	3.9	6.50	0.8	5.0	3.5	12.7	10.0	14.5	5.5	L7068
2.5	3.7	2.3	3.9	6.50	0.8	5.0	3.5	12.70	10.0	14.5	5.5	L7069
2.5	3.7	2.3	3.9	8.0	0.8	5.0	5.0	16.0	10.0	17.0	5.5	L7070
2.5	4.2	2.3	3.9	8.0	0.8	5.0	5.0	16.0	10.0	17.0	5.5	L7071
2.5	5.2	2.3	3.9	8.0	0.8	5.0	5.0	16.0	10.0	17.0	5.5	L7072
2.5	5.2	2.3	3.9	10.0	0.8	5.0	7.0	18.0	10.0	18.0	5.5	L7073
2.5	5.2	2.3	3.9	12.0	0.8	5.0	9.0	22.0	10.0	21.0	5.5	L7075
2.5	8.2	2.3	3.9	12.0	0.8	5.0	9.0	22.0	10.0	21.0	5.5	L7077
2.5	6.4	2.3	3.9	10.0	0.8	5.0	7.0	18.0	10.0	18.0	5.5	L7074

## COPPER RING TYPE INSULATED TERMINAL

Material Copper IS : 1897 :: Finished Electro Tinned



All dimensions in mm

Size mm <sup>2</sup>	E	A	C	D	F	B	H	J	J1	L-3	C-1	CORDLUG CAT NO.
2.5	6.4	2.3	3.9	12.0	0.8	5.0	9.0	22.0	10.0	21.0	5.5	L7076
2.5	8.2	2.3	3.9	16.0	0.8	5.0	10.0	25.0	10.0	22.0	5.5	L7079
2.5	6.4	2.3	3.9	16.0	0.8	5.0	10.0	25.0	10.0	22.0	5.5	L7078
2.5	10.2	2.3	3.9	16.0	0.8	5.0	10.0	25.0	10.0	22.0	5.5	L7080
2.5	10.2	2.3	3.9	18.0	0.8	5.0	14.0	29.0	10.0	25.0	5.5	L7081
2.5	12.7	2.3	3.9	18.0	0.8	5.0	14.0	29.0	10.0	25.0	5.5	L7082
4.6	4.2	3.5	5.5	8.0	1.0	6.0	5.0	17.0	14.0	21.0	7.1	L7083
4.6	4.2	3.5	5.5	10.0	1.0	6.0	5.0	19.0	14.0	22.0	7.1	L7085
4.6	5.2	3.5	5.5	8.0	1.0	6.0	5.0	17.0	14.0	21.0	7.1	L7084
4.6	5.2	3.5	5.5	10.0	1.0	6.0	5.0	19.0	14.0	22.0	7.1	L7086
4.6	5.2	3.5	5.5	8.0	1.0	6.0	9.0	22.0	14.0	26.0	7.1	L7087
4.6	5.2	3.5	5.5	12.0	1.0	6.0	6.0	20.0	14.0	22.0	7.1	L7088
4.6	5.2	3.5	5.5	12.0	1.0	6.0	7.0	22.0	14.0	24.0	7.1	L7091
4.6	6.4	3.5	5.5	12.0	1.0	6.0	6.0	20.0	14.0	22.0	7.1	L7089
4.6	6.4	3.5	5.5	12.0	1.0	6.0	7.0	22.0	14.0	24.0	7.1	L7092
4.6	6.4	3.5	5.5	14.0	1.0	6.0	10.5	25.5	14.0	26.5	7.1	L7093
4.6	8.2	3.5	5.5	16.0	1.0	6.0	13.0	30.0	14.0	30.0	7.1	L7096
4.6	10.2	3.5	5.5	18.0	1.0	6.0	12.0	30.0	14.0	29.0	7.1	L7099
4.6	8.2	3.5	5.5	14.0	1.0	6.0	10.5	25.5	14.0	26.5	7.1	L7094
4.6	8.2	3.5	5.5	12.0	1.0	6.0	6.0	20.0	14.0	22.0	7.1	L7090
4.6	12.7	3.5	5.5	18.0	1.0	6.0	12.0	30.0	14.0	29.0	7.1	L7100
4.6	8.2	3.5	5.5	18.0	1.0	6.0	12.0	30.0	14.0	30.0	7.1	L7098
4.6	9.7	3.5	5.5	14.0	1.0	6.0	10.5	25.5	14.0	26.5	7.1	L7095
4.6	10.2	3.5	5.5	16.0	1.0	6.0	13.0	30.0	14.0	30.0	7.1	L7097