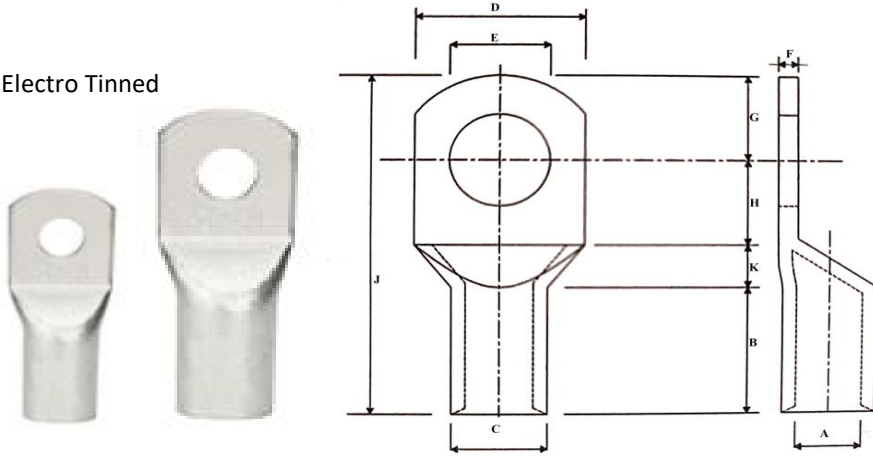


COPPER TUBULAR TERMINAL ENDS

LIGHT DUTY

Material Copper IS : 1897 :: Finished Electro Tinned



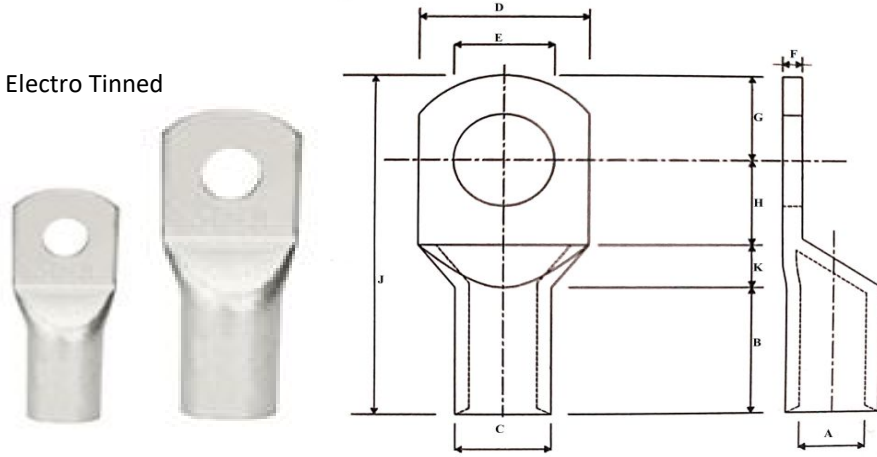
All dimensions in mm

Size mm ²	E	A	C	D	F	B	K	H	G	J	CORDLUG CAT NO.
2.5	5.2	2	4	9	1.0	7	3	5	4	20	LUS-05
4	6.5	3.1	4.8	11	1.0	7	3	6	5	22	LUS-06
6	6.5	3.8	5.5	11	1.0	9	3	6	6	24	LUS-07
10	6.5	4.4	6.2	11	1.3	9	3	6	6	24	LUS-08
16	6.5	5.3	7.1	11	1.6	12	4	8	6	30	LUS-09
25	6.5	7	9	13	2.0	12	5	12	8	37	LUS-10
35	6.5	8	10	15	2.0	12	5	12	8	37	LUS-11
35	8.2	8	10	15	2.0	12	5	12	8	37	LUS-12
50	8.2	9.2	11.2	16	2.0	16	8	12	9	45	LUS-14
50	10.2	9.2	11.2	16	2.0	16	8	12	9	45	LUS-15
70	10.2	11.5	13.8	20	2.3	18	10	15	13	56	LUS-17
70	12.7	11.5	13.8	20	2.3	18	10	15	13	56	LUS-18
95	10.2	12.8	15.6	23	2.8	20	10	15	13	58	LUS-19
95	12.7	12.8	15.6	23	2.8	20	10	15	13	58	LUS-20
120	12.7	14.8	17.8	26	3.0	22	10	16	14	62	LUS-22
120	16.2	14.8	17.8	26	3.0	22	10	16	14	62	LUS-23
150	10.2	16	19.6	28	3.6	26	11	18	15	70	LUS-24
150	16.2	16	19.6	28	3.6	26	11	18	15	70	LUS-26
185	12.7	18	22	32	4.0	30	13	21	21	83	LUS-27
185	16.2	18	22	32	4.0	30	13	21	21	83	LUS-28
240	16.2	22	26	38	4.0	34	15	24	24	97	LUS-29
240	20.3	22	26	38	4.0	34	15	24	24	97	LUS-30

COPPER TUBULAR TERMINAL ENDS

LIGHT DUTY

Material Copper IS : 1897 :: Finished Electro Tinned



All dimensions in mm

Size mm ²	E	A	C	D	F	B	K	H	G	J	CORDLUG CAT NO.
300	16.2	24	28.7	42	4.7	36	16	25	25	103	LUS-31
300	20.3	24	28.7	42	4.7	36	16	25	25	103	LUS-32
400	20.3	28	33.2	49	5.2	44	18	27	27	116	LUS-33
500	20.3	30	36	53	6.0	48	18	27	27	120	LUS-34
630	20.3	35	41.5	61	6.5	53	20	33	31	137	LUS-35
800		39	46.3	67	7.3	68	25	38	37	165	LUS-62
1000		43	53.8	76	10.8	90	30	45	45	210	LUS-76